

FEATURES:

- Accommodating 3 snap-In modules for flexible and convenient usages.
- 4/6/8port simplex and 4port duplex SC type adapter panel, 4/6/8port ST simplex type adapter panel available.
- Fitting standard 19 inch racks (1U).
- Metal sliding fittings with self-locking function.
- Position of splice cassette adjustable.
- RoHS compliant.



CHARACTERISTICS:

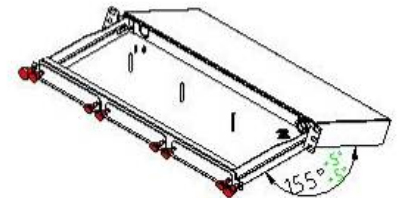
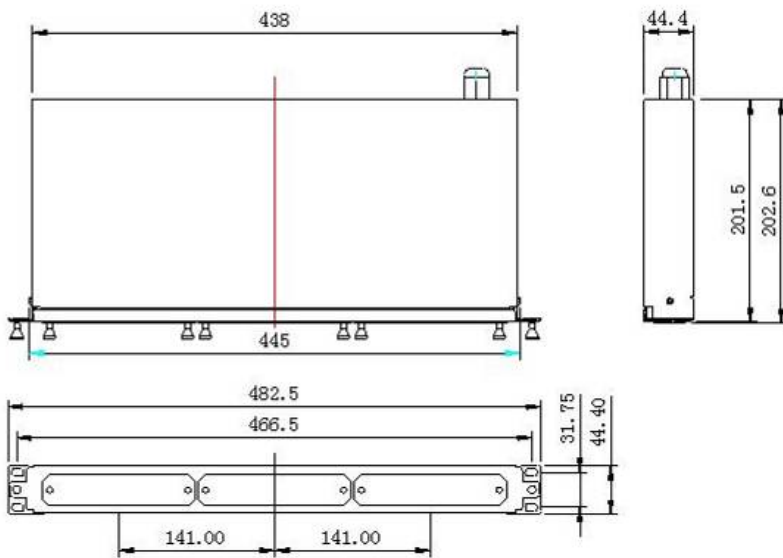
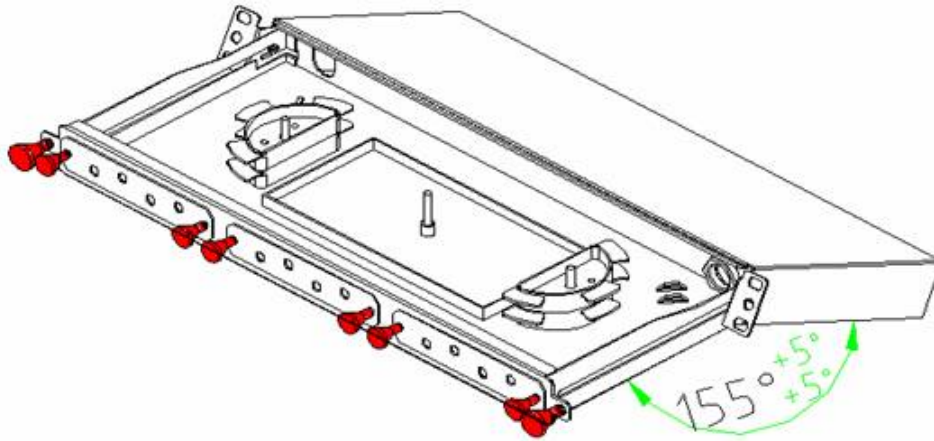
Items	Feature or Material
Patch panel	cold rolling steel thickness, 1.6mm
Adapter panel	cold rolling steel thickness, 1.6mm
Splice cassette	ABS
Spool cable routing	ABS

APPLICATIONS:

- Telecommunications
- Local Area Network
- FTTH deployments.
- CATV
- Provide termination, protection, connection, management of fiber optic cable.



DRAWING:



8port ST simplex adapter panel



8port SC simplex adapter panel



Blank adapter panel



Splice cassette, for 12-port (including 1 pc of tray,
2 pcs of cable routing, 12 pcs of heat shrinking tube)

ORDERING INFORMATION:

Part NO. **2411xyzz2**
Description Premium line fiber optic rack mounted patch panel, 1U, snap-in, black(including splice cassette, spool cable routing)
x, adapter loaded 0: unloaded 1: MM adapter loaded 2: SM adapter loaded
y, connector type 1: SC 2: ST
zz, port no. 12: 12ports 18: 18ports 24: 24ports

Accessories:

Part NO.	Description
241100002	Fiber optic patch panel main body without adapter panel, black
242301042	4port SC adapter panel, simplex, black
242401042	4port SC adapter panel, duplex, black
242301062	6port SC adapter panel, simplex, black
242301082	8port SC , adapter panel simplex, black
242302042	4port ST, adapter panel, black
242302062	6port ST adapter panel, simplex, black
242302082	8port ST adapter panel, simplex, black
242500002	Blank adapter panel for fiber optic patch panel, black
243000005	Splice cassette, for 12-port, grey (including 1 pc of tray, 2 pcs of spool cable routings, 12 pcs of heat shrinking tube)