

FEATURES:

1. Place this tool on a plane, and then place the keystone jack in the right seat, easily connect the keystone jack with the cable.
 - Support Premium-Line FTP keystone 90 degree & easy termination.
 - Support Premium-Line UTP keystone 90 degree & easy termination.
 - Support Premium-Line UTP keystone 180 degree & easy termination.
2. Clear scale on the tool surface for your reference to strip and terminate the cable.
3. can effectively prevent the damage due to the unfixable keystone jack.
4. RoHS compliant.



CHARACTERISTICS:

Material	ABS
Material Flame Rating	UL94 V-0
Packing	inner packing: PE bag, 1 pc/ bag Outer packing: Carton box ,50 pcs / ctn, Size:340x180x110mm,

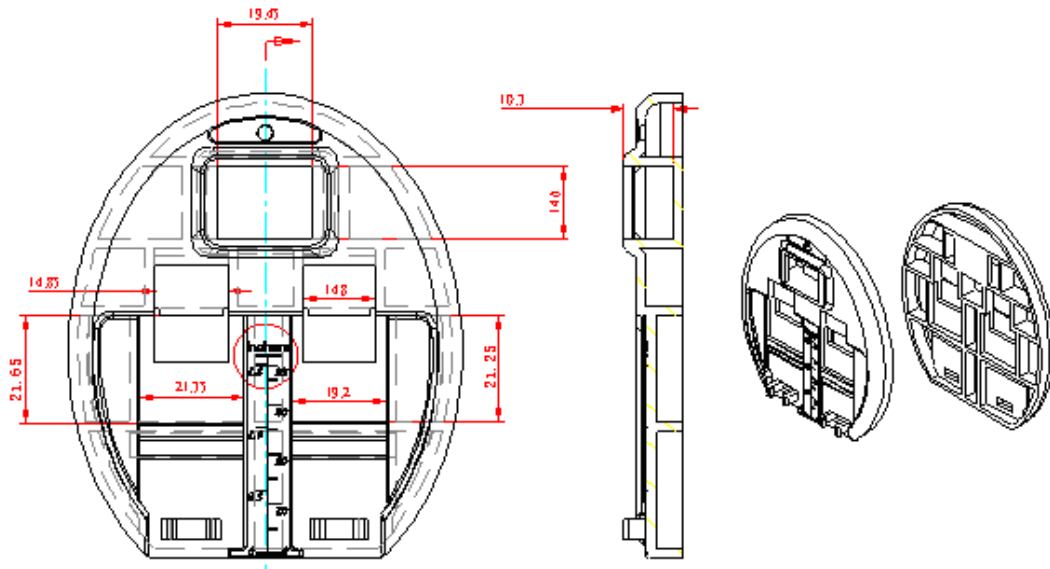
APPROVAL:

- UL/cUL listed

APPLICATION:

Keystone Jack Support for Easy Termination on Field.

DRAWING:



ORDERING INFORMATION:

Part NO.	190000003
Description	Premium-Line Keystone Jack support for termination, red