

CHARACTERISTICS:

➤ **ELECTRICAL**

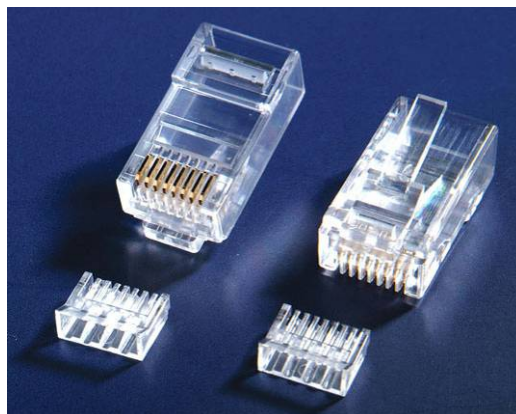
- UL applications: 250 VOLTS AC max at 2 AMPS
- Dielectric with standing voltage: 500 VOLTS AC
- Insulation resistance: 100 mΩ
- Termination resistance: 20 mΩ MAX after environmental testing

➤ **MECHANICAL**

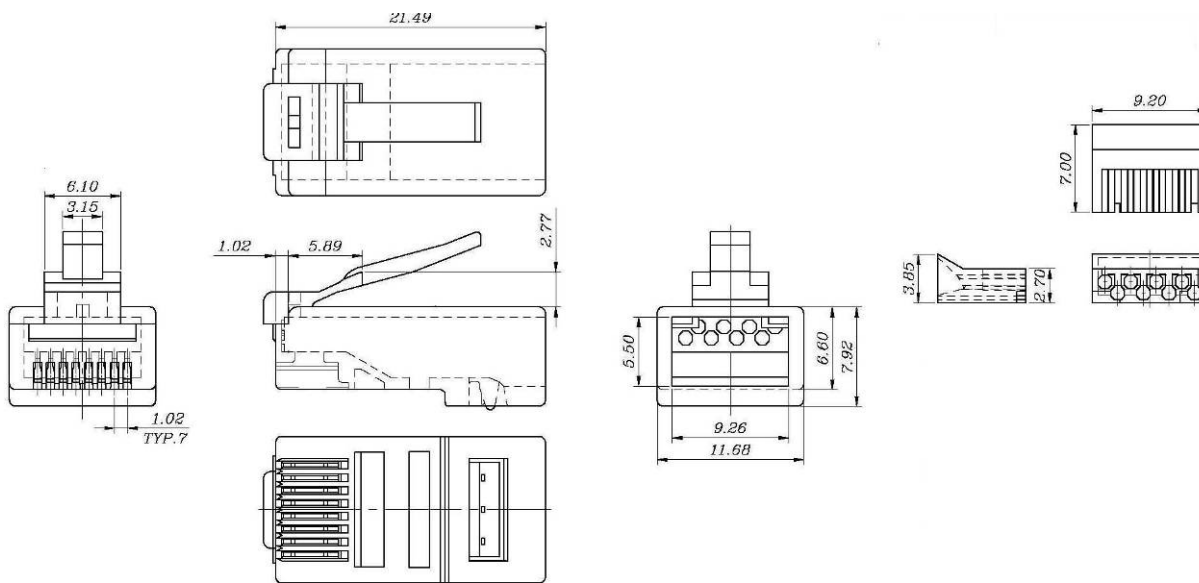
- Cable-to- plug tensile strength : 20kg MIN
- Durability: 200 mating cycles

➤ **MATERIAL&FINISH**

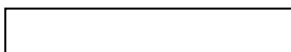
- Housing: Polycarbonate, UL 94V-0
- Color: Transparent
- Contact blade: Phosphor bronze
- Conductor: Stranded & solid wire, 24AWG, 26AWG
- Gold plating: 3μ inch or 50μ inch



DRAWING:



BLADE:		
Drawing		



ORDERING INFORMATION:

Part No. **1996188xy**

Description: Premium-Line Cat.6 unshielded 8P8C modular plug, transparent

x: prong no 2: 2 prongs 3: 3 prongs

y: gold plating 1: 3μ" 2: 50μ"