

FEATURES:

- Performance conforms to TIA/EIA-568-B.2-10, IEEE802.3an for 10GBASE-T requirement. ISO 11801, EN 50173-1 Class EA specification.
- Offer total solution of your Local Networking Area.
- Improved RJ45 contactor provides superior performance.
- Terminate with 110 or krone tools.
- RoHS compliant.



CHARACTERISTICS:

Dielectric Strength	1000V RMS for 1min
Current Rating	1.5Amp Max.
Insulation Resistance	10MΩ Min.
Contact Resistance	2mΩ per contact
Temperature Range	-10°C to 60°C
Humidity	10%~90%; non condensing
Size	16.3*22.0*33.13(mm)
Material Flame Rating	PC, UL94 V-0
Admissible Conductor	22AWG ~ 24AWG insulation wire
8pin contact in PCB Jack	Phosphor bronze, 50μ inch gold plated over nickel plated in contact area
	Operating life: Minimum 750 insertions
IDC Contacts	100μ inch nickel plated over phosphor bronze
	Operating life: Minimum 250 Re-terminations



APPROVAL:

- ETL certified category 6A unshielded 3 connectors channel testing performance requirements.

APPLICATIONS:

- 10GBASE-T Ethernet
- 1000Base-Tx Gigabit Ethernet
- 100Base-Tx Fast Ethernet
- Analog and digital Voice
- Analog and digital video

TYPICAL PERFORMANCE:

Cable ID: C6AKJ **Test Summary: PASS**

Date / Time: 04/02/2007 04:14:29pm
 Headroom: 6.4 dB (NEXT 36-45)
 Test Limit: TIA T568B PL dr 3.0 45-80m
 Cable Type: Cat 6 FTP

Operator: QB
 Software Version: 1.3100
 Limits Version: 1.0200
 NVP: 70.0%

Model: DTX-1800
 Main S/N: 9305151
 Remote S/N: 9305152
 Main Adapter: DTX-PLA001
 Remote Adapter: DTX-PLA001

Wire Map (T568B)
PASS

1	1
2	2
3	3
4	4
5	5
6	6
7	7
8	8

Length (ft), Limit 295	[Pair 78]	259
Prop. Delay (ns), Limit 498	[Pair 45]	380
Delay Skew (ns), Limit 44	[Pair 45]	4
Resistance (ohms)	[Pair 78]	12.7

Insertion Loss Margin (dB)	[Pair 36]	9.1
Frequency (MHz)	[Pair 36]	500.0
Limit (dB)	[Pair 36]	47.1

	Worst Case Margin		Worst Case Value	
PASS	MAIN	SR	MAIN	SR
Worst Pair	36-45	36-45	36-45	36-45
NEXT (dB)	5.5	5.4	7.1	5.7
Freq. (MHz)	118.0	110.0	500.0	495.0
Limit (dB)	40.7	41.2	23.4	23.6
Worst Pair	36	45	36	45
P8NEXT (dB)	6.5	6.2	7.5	6.2
Freq. (MHz)	454.0	495.0	500.0	495.0
Limit (dB)	23.8	22.7	22.5	22.7

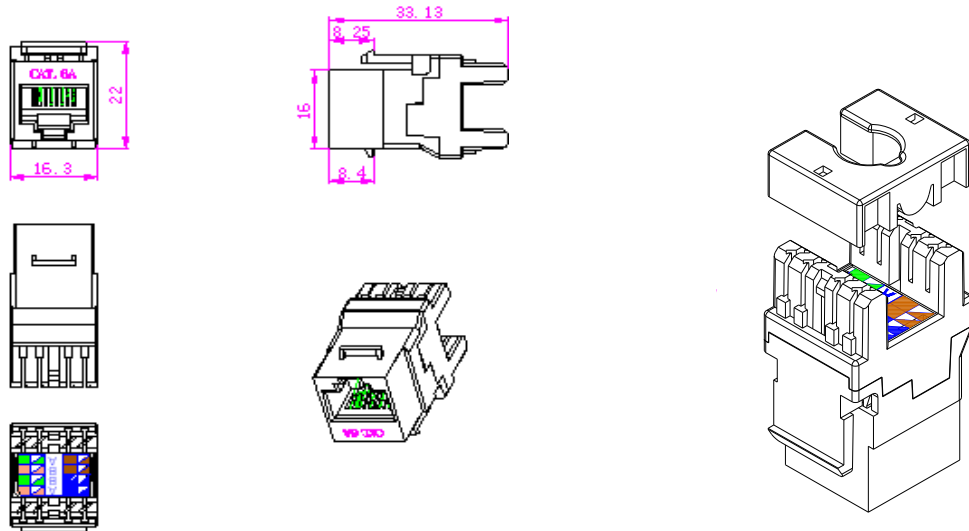
	Worst Case Margin		Worst Case Value	
PASS	MAIN	SR	MAIN	SR
Worst Pair	45-36	36-45	45-36	45-36
ELFEXT (dB)	7.9	7.9	9.8	9.7
Freq. (MHz)	3.3	3.3	500.0	500.0
Limit (dB)	54.0	54.0	10.2	10.2
Worst Pair	36	36	36	36
P8ELFEXT (dB)	10.4	10.5	12.3	12.7
Freq. (MHz)	3.3	2.8	495.0	500.0
Limit (dB)	51.0	52.4	7.3	7.2

	Worst Case Margin		Worst Case Value	
PASS	MAIN	SR	MAIN	SR
Worst Pair	36	45	36	45
RL (dB)	5.0	3.8	5.0	3.8
Freq. (MHz)	452.0	488.0	452.0	488.0
Limit (dB)	6.0	6.0	6.0	6.0

Project: DEFAULT
 Site: JIANG SU

07030003.flw

DRAWING:



ORDERING INFORMATION:

Part NO.	109121010
Description	Premium-Line cat.6A 180° unshielded keystone jack, dual type IDC, white